

VACUUM TUBE SOCKET

VT8 SERIES

Easy mounting 8 pin vacuum tube socket
without additional fixing bolt and nut

PATENT



Features

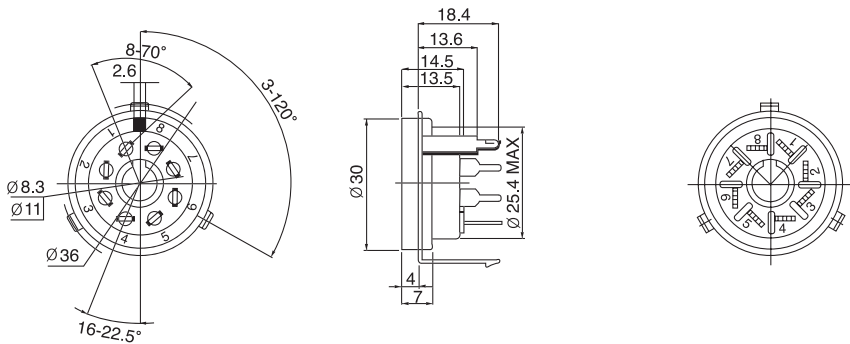
- Fixing terminals on the P.C.B instead of bolt & nut
- Phosphorous bronze terminal pin with Sn plating
- Glassfiber filled PPS insulating material

Applications

- Applicable to all types of electric and electronic equipments using vacuum tube and relay

Dimensions

VT8-PTL-01



P.C.B PATTERN

