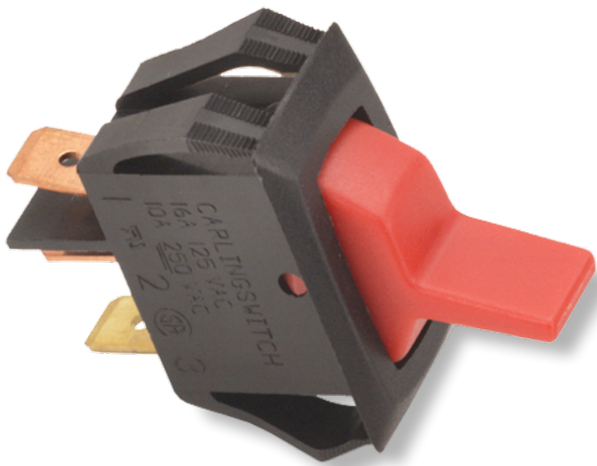


LRA-Series

Single Pole Lighted Rocker & Paddle Switches

PRODUCT WEBPAGE

request sample, configure part



Since its introduction, the Corvette switch has become the barometer for versatility and performance in the miniature switch market. This lighted version features the very same self cleaning contacts, international approvals, along with a wide variety of circuits, ratings, and actuator options that make the Corvette the switch of choice for various applications.

1

Pole

10-16

Amps

125-250

VAC

6-30

VDC

Typical Applications

- HVAC
- Transportation
- Lawn & Garden
- Lighting
- Commercial Food
- Power Strip

Tech Specs

Dielectric Strength

UL/CSA: 1000V-live to dead metal parts
 VDE: 4000V - live to dead metal parts;
 750V - across open contacts

Electrical Life

100,000 cycles

Operating Temperature

32°F to 185°F (0°C to 85°C)

Ordering Scheme

Sample Part Number **LRA911 - R S - B / 250N**

Selection 1 2 3 4 5

1. SERIES

125 neon lamp (use 125N in Selection 5 Lamp Voltage)
10A 250VAC; 16A 125VAC; 10(4)A 125VACu
 OFF-NONE-ON Solder Lugs .250 Tabs Wire Leads
LRA210 LRA211 LRA215

250 neon lamp (select 250N in selection 5 Lamp Voltage)
15A 250 VAC; 10A 250VAC; 16A 125VAC; 10(4)A 250 T85
 OFF-NONE-ON Solder Lugs .250 Tabs Wire Leads
LRA910 LRA911 LRA915

Incandescent lamp (select 006V-024V in selection 5 Lamp Voltage)
10A 30V
 OFF-NONE-ON Solder Lugs .250 Tabs Wire Leads
LRA510 LRA511 LRA515

2. ACTUATOR STYLE

P Paddle **C** Rocker Clear
R Rocker translucent

Notes: LED illumination, PC terminals, independent lamps, and additional color options are available. Consult factory.
 1 Neon lamps not available with blue or green actuators.
 2 Consult factory for additional ratings.

3. ACTUATOR COLOR

translucent	clear
A Amber	A Amber
C White	C Clear
P Yellow	G ¹ Green
S Red	B ¹ Blue
W Pale Red	R Red

4. BEZEL COLOR/STYLE

STANDARD		OVAL	
B Black (matte)		1 Black (gloss)	
W White (matte)		2 White (gloss)	

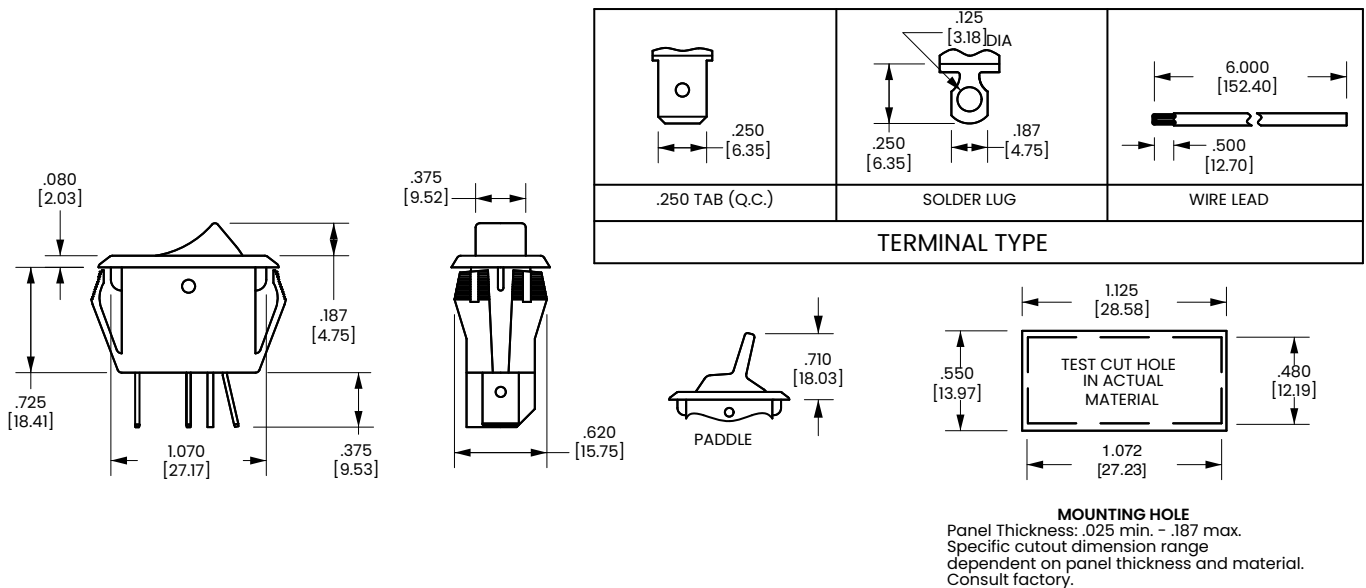
5. LAMP VOLTAGE

006V 6 volts incandescent
012V 12 volts incandescent
018V 18 volts incandescent
024V 24 volts incandescent
125N¹ 125 volts neon
250N¹ 250 volts neon

[Configure Complete Part Number >](#) [Browse Standard Parts >](#)

Dimensional Specs

inches [millimeters]



Authorized Sales Representatives and Distributors

Click on a region of the map below to find your local representatives and distributors or visit www.carlingtech.com/findarep.



About Carling

Founded in 1920, Carling Technologies is a leading manufacturer of electrical and electronic switches and assemblies, circuit breakers, electronic controls, power distribution units, and multiplexed power distribution systems. With six ISO9001 and IATF16949 registered manufacturing facilities and technical sales offices worldwide, Carling Technologies Sales, Service and Engineering teams do much more than manufacture electrical components, they engineer powerful solutions! To learn more about Carling please visit www.carlingtech.com/company-profile.

To view all of Carling's environmental, quality, health & safety certifications please visit www.carlingtech.com/environmental-certifications.

© Carling Technologies, Inc.

3. Carling, Curvette are registered trademarks of Carling Technologies, Inc. in the U.S. and other countries.

Mouser Electronics

Authorized Distributor

Click to View Pricing, Inventory, Delivery & Lifecycle Information:

Carling Technologies:

[LRA911-CR-B/250N](#) [LRA510-CG-B/003-XLD1](#) [LRA910-RS-B/250N/O-I](#) [LRA211-CA-B/125N](#) [LRA211-CR-B/125N](#)
[LRA211-RS-B/125N](#) [LRA511-CB-B/012V](#) [LRA511-RC-B/024V](#) [LRA511-RS-B/012V](#) [LRA911-RS-B/125N](#) [LRA911RS -](#)
[B/120N](#) [LRA511-RS-B/24V-XZP1](#) [LRA510-CG-B/012V-XGM1](#) [LRA911-RS-B/250N](#) [LRA211-CB-B/125N-XBLU1](#)
[LRA211-CG-B/125N](#) [LRA511-CA-B/012V](#) [LRA511-CG-B/012V](#) [LRA511-CR-B/012V](#) [LRA211-CG-B/125NXPS1](#)
[LRA911-CG-B/250N-XDV2](#) [LRA511-RS-B/024V](#) [LRA511-RW-B/024V](#) [LRA515-RS-B/024V](#) [LRA911-CA-B/250N](#)
[LRA911-CG-B/250N](#) [LRA911-CG-B/250N/O-I](#) [LRA911-RA-B/250N](#) [LRA211-RC-1/125N](#) [LRA211-RC-B/125N](#)
[LRA211-RC-W/125N](#) [LRA211-RS-W/125N](#) [LRA511-CR-B/024V](#) [LRA511-RA-B/012V](#) [LRA210-RP-B/125N](#) [LRA511-](#)
[CA-B/024V](#) [LRA511-CG-B/018V](#) [LRA215-RS-B/125N-XWT1](#) [LRA211-CR-B/120N/O-I-XHA1](#) [LRA911-RP-W/250N](#)
[LRA911-CG-B/250N/I-O](#) [LRA511-RA-B/24V-XZP1](#) [LRA510-CA-1/012V](#) [LRA811-RS-B/250N](#) [LRA511-CG-B/024V-](#)
[XWM1](#) [LRA211-CR-1/125N](#) [LRA511-CB-B/018V](#) [LRA511-CR-B/012V-XGR1](#) [LRA910-CR-B/250N](#) [LRA510-RS-](#)
[B/018V](#) [LRA511-RS-W/012V](#) [LRA911-CC-W/250N](#) [LRA911-RC-W/250N](#) [LRA211-PS-W/125N](#) [LRA511-RA-](#)
[B/012V/O-I](#) [LRA515-CG-B/006V](#) [LRE213-CR-1-XOE1](#) [LRA211-CB-B/125N](#) [LRA510-CR-B/012V](#) [LRA911-CR-1/250N](#)
[LRA915-RS-B/250N](#) [LRA511-CA-B/006V](#) [LRA911-RC-1/250N](#) [LRA211-RS-1/125N](#) [LRA411-RS-B/120N](#) [LRA511-](#)
[PS-B/012V](#) [LRA511-RA-B/018V](#) [LRA911-CA-1/250N](#) [LRA511-CR-B/006V](#) [LRA910-RC-B/250N](#) [LRA210-CR-W/125N](#)
[LRA911-RP-B/250N](#) [LRA515-CA-B/024V](#) [LRA211-CG-W/125N-XER1](#) [LRA511-RC-W/024V](#) [LRA211-RA-B/125N/I-O](#)
[LRA511-RS-B/018V](#) [LRA510-CC-B/024V](#) [LRA421-RA-B/014V](#) [LRA515-RS-B/006V](#) [LRA911-CB-B/012V](#) [LRA911-](#)
[CG-B/012-XFL1](#) [LRA511-RP-B/024V](#) [LRA511-CG-B/006V](#) [LRA210-CR-B/125N](#) [LRA511-PC-W/012V](#) [LRA515-CR-](#)
[B/006V](#) [LRA511-CC-B/012V](#) [LRA215-CR-B/125N](#) [LRE511-CG-1/018V-XPL1](#) [LRA910-RC-B/250N/O-I](#) [LRA510-RS-](#)
[B/012V](#) [LRA511-RP-B/012V](#) [LRA211-CR-W/125N](#) [LRA008-CR-B-XTC1](#) [LRE211-CR-B-XGB1](#) [LRA211-CR-B-125N-](#)
[XRT1](#) [LRA511-CG-B/12V-XLD1](#) [LRA515-CG-B/12V-XGM1](#) [LRA211-RW-B/125N](#)